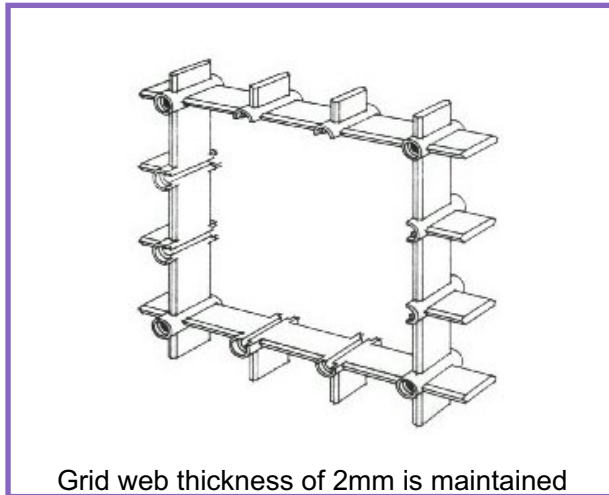
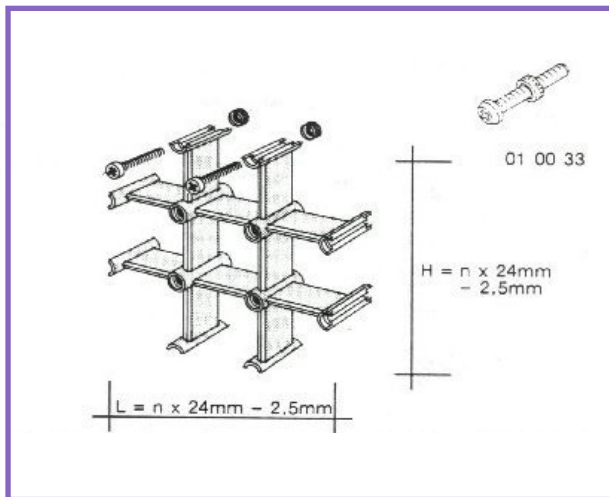


Grid Cut Outs
Mechanical Construction SM24

Grid Cut Outs



Cut-outs for instruments and devices are prepared to permit easy subsequent closing by customer.

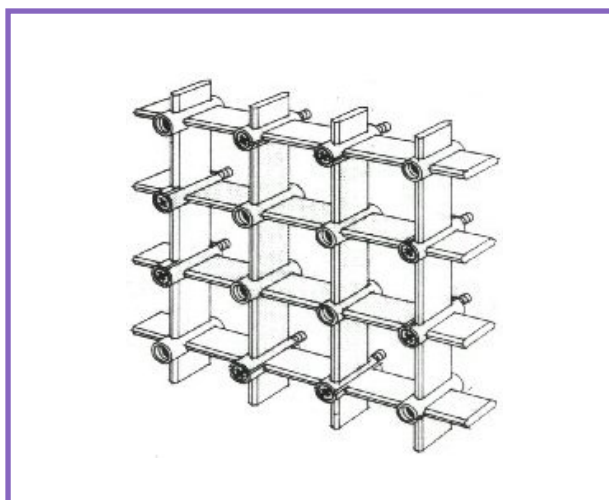


Insert grid

Indicate nominal size of cut out when ordering.

$L = n \times 24\text{mm}$

$H = n \times 24\text{mm}$



Grid cut-out closed.

Use junction screw and nut only where required.

© TEW 2008. All rights reserved. This is the property of TEW. Unless you obtain the express written permission of TEW, no part shall be used, reproduced, divulged or made available to any third party and disclosure to you does not confer any right or licence.

Ref: o8o8o8



UK
www.tew.co.uk

Germany
www.tew-eng.de

Australia
www.tew-eng.com.au

Providing worldwide solutions

Automation • Control & Indication • Information & Display